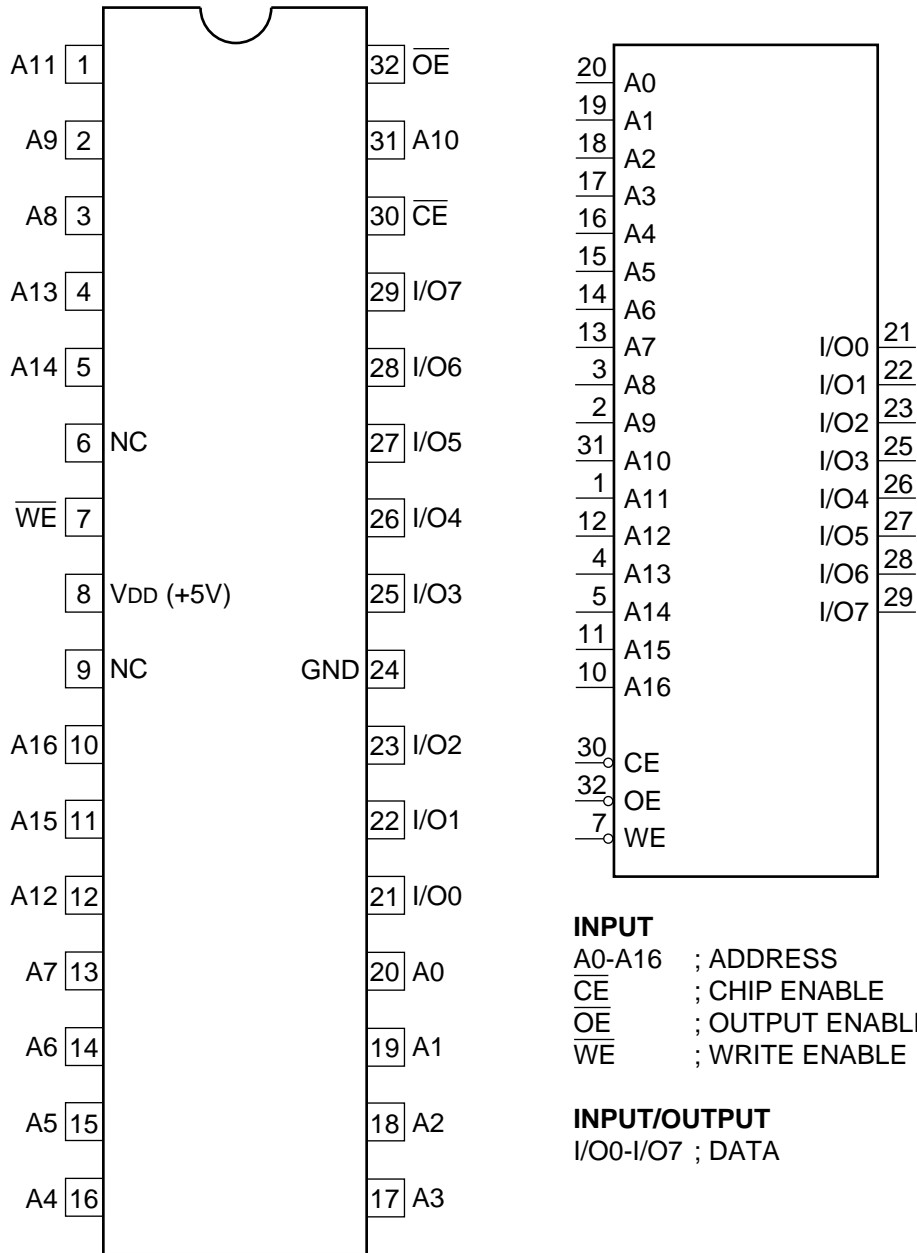

C-MOS 1M (131,072 8)-BIT 3-VOLT ONLY ERASABLE PROM
-TOP VIEW-

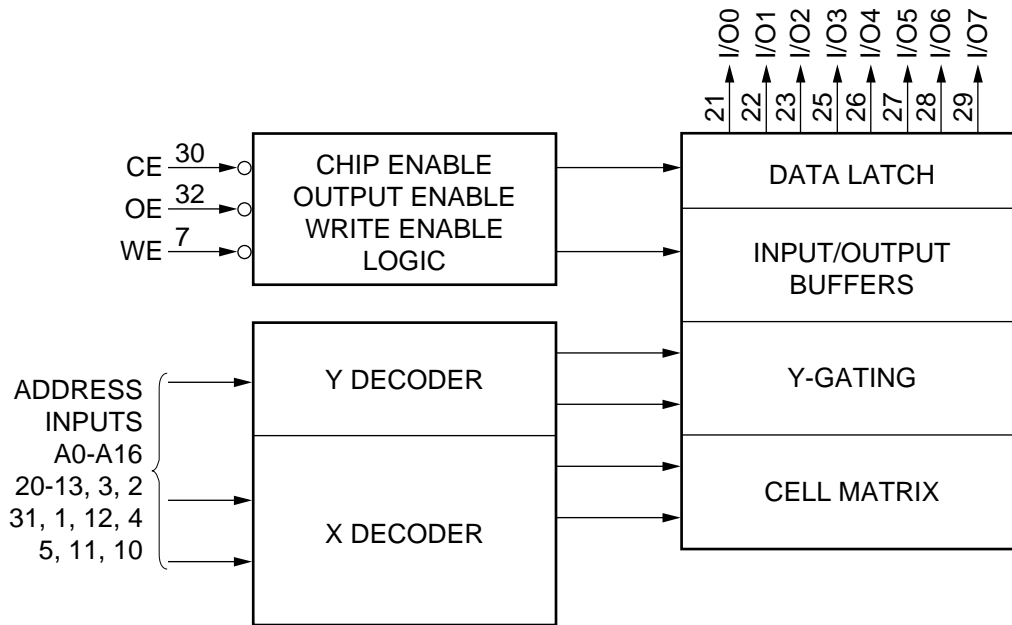


INPUT

A0-A16 ; ADDRESS
 CE ; CHIP ENABLE
 OE ; OUTPUT ENABLE
 WE ; WRITE ENABLE

INPUT/OUTPUT

I/O0-I/O7 ; DATA



MODE	\overline{CE}	\overline{OE}	\overline{WE}	I/O
READ	0	0	1	DATA OUT
STAND BY/WRITE	1	X	X	HI-Z
OUTPUT DISABLE	X	1	X	HI-Z

0 ; LOW LEVEL
 1 ; HIGH LEVEL
 X ; DON'T CARE
 HI-Z ; HIGH IMPEDANCE